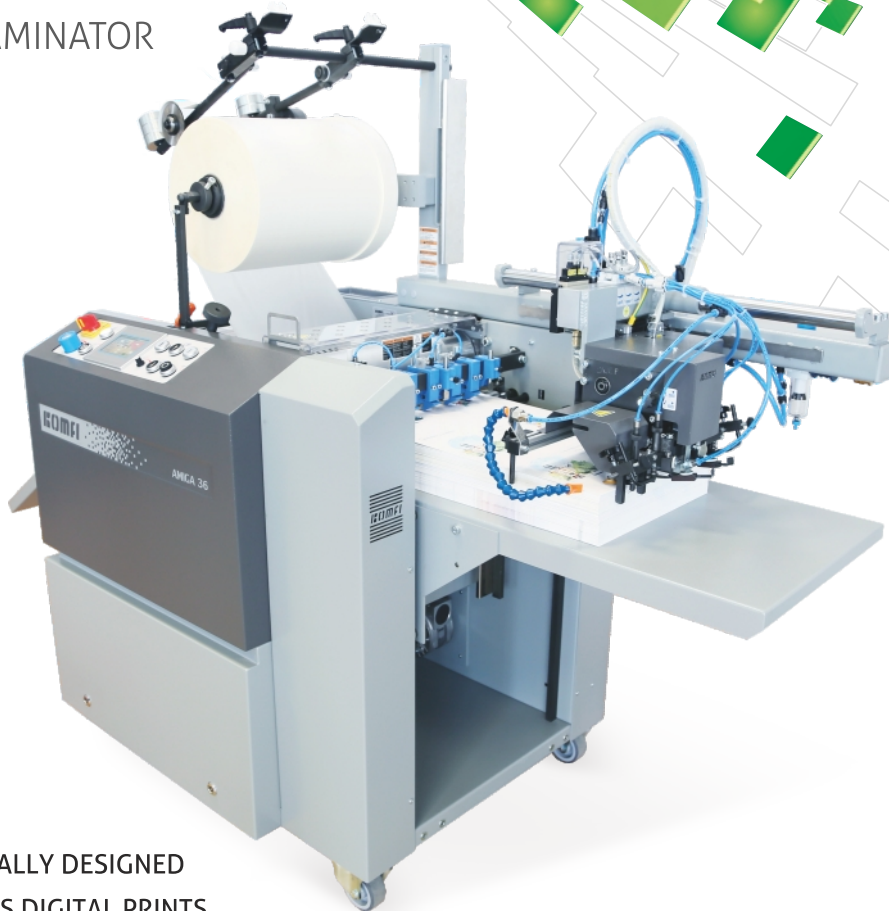


AMIGA 36A

THERMAL LAMINATOR

KOMFI®



SPECIFICALLY DESIGNED TOWARDS DIGITAL PRINTS

- Professional quality lamination for variety of small jobs up to B3 format
- Unique software features to minimise waste sheets
- Designed for unattended operation
- Built-in help and self-diagnostics
- Machine designed to fit through an 80 cm wide door

- Processor controlled feeding head for stable sheet feeding
- Additional separation air blowers, processor controlled, for reliable sheet feeding (feeding head option)
- Electronically controlled gate for accurate and stable sheet overlap at any production speed
- Graphical touch screen for comfortable multi-language operation
- Ability to process any common thermal laminating film for digital output
- Continuous automatic checking of the whole lamination process (feeding, temperature, air pressure, sheet separation, etc.) to ensure 100% quality result

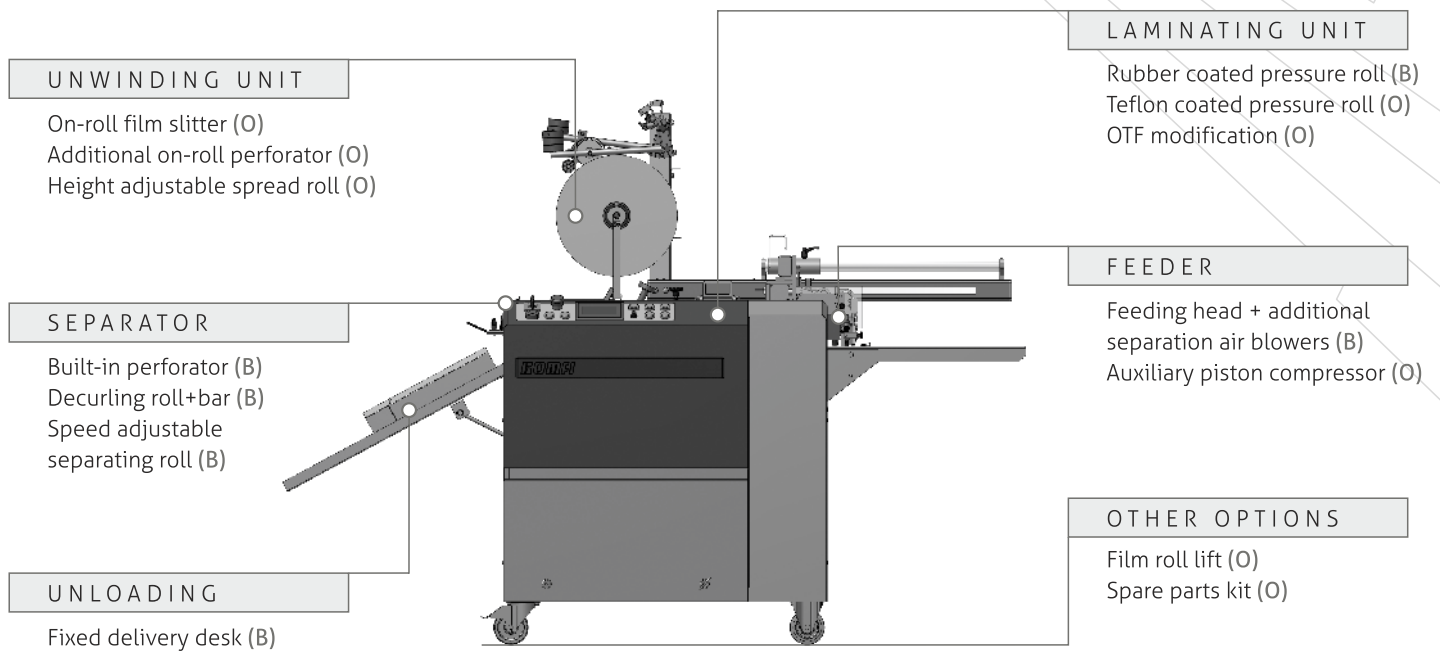
DESIGNED AND MANUFACTURED IN THE CZECH REPUBLIC



AMIGA - USER FRIENDLY

MACHINE CONFIGURATION SCHEME

B = basic O = option



BASIC CONFIGURATION

- Feeding head + additional air blowers
- Automatic sheet overlap control
- Mis-feeding detection
- IR heated and PID controlled laminating cylinder
- Temperature drop detection
- NBR (rubber) coated pressure roll
- Air pressure decrease detector
- Combined de-curling unit (bar and roller)
- Automatic sheet separation using built-in perforator
- Electronically controlled snapping unit
- Sheet separation detector
- Fixed delivery desk

OPTIONS

- Machine options in details on www.komfilaminators.com

CUSTOM-BUILT SOLUTIONS

- Possibility of individual machine modification based on specific requirements
- US version available

TECHNICAL PARAMETERS

| | |
|---|--------------------------|
| Maximum speed of lamination: | 20 m/min |
| Maximum sheet dimensions: | 36 × 70 cm (14 × 27.5") |
| Minimum sheet dimensions: | 20 × 20 cm |
| Paper weight: | 115-350 g/m ² |
| Thickness of laminating film: | 24-50 μm |
| Kind of laminating film: | OPP, PET, Nylon |
| Time of laminating roll warm up (25±100 °C): | 3.5 min |
| Sheet overlap accuracy (at constant laminating speed): | ±1 mm |
| Machine dimensions including delivery desk (L × W × H): | 190 × 79 × 152 cm |
| Air supply: | 6 bar |
| Air consumption at stable run: | 97 l/min |

The technical parameters may change without prior notice. Find more details about the product and its technical parameters on www.komfilaminators.com.



WEB PAGE



VIDEO